



# Read all Instructions before beginning!!!!

Caution – EXTREME DANGER – Caution

**Do not use or mix any other manufacturer's products with any Nitrous Express products.**

**Do not use or mix any Nitrous Express products with any other manufacturer's products.**

**THESE INSTRUCTIONS APPLY TO NITROUS EXPRESS PRODUCTS ONLY!**

**FOR SANCTIONED RACE USE ONLY – NOT FOR SALE OR USE IN CALIFORNIA**

## Maximizer EZ Part # 16006

The NX Maximizer EZ Progressive Nitrous Controller pulses your nitrous and fuel solenoids to smoothly ramp in your nitrous power resulting in increased traction and less strain on your vehicles drivetrain.

The progression ramp automatically starts at 20% and ends at 100% when you push the accelerator pedal to W.O.T. (Wide Open Throttle). Ramp time is adjustable from 0 to 4.5 seconds via a simple rotary knob. We recommend selecting the lowest ramp time possible without introducing tire spin. If tire spin is noticed, simply increase the ramp time to slow down the ramp to full power.

The Max EZ is capable of powering nitrous and fuel solenoids with a total amp draw up to 40 amps maximum. Consult your nitrous system manufacturer for your solenoids amp draw.

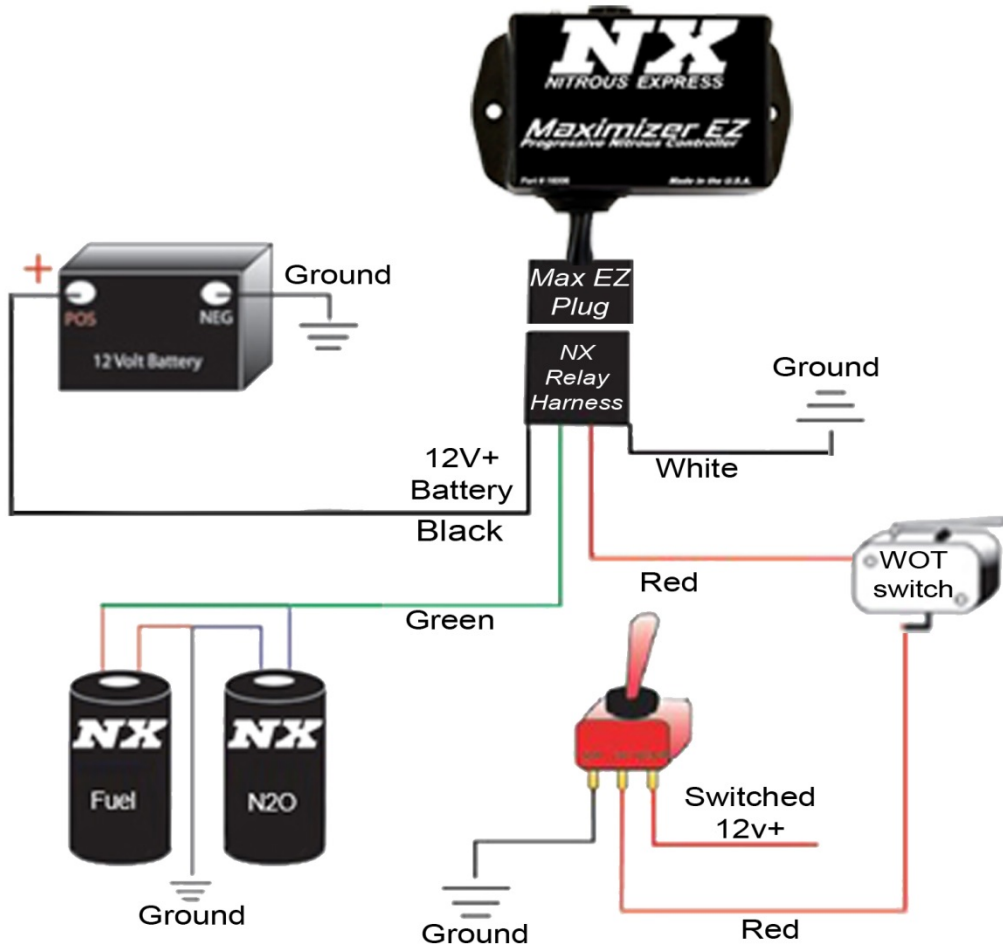
The Max EZ was designed to replace the relay in your NX nitrous system. Simply unplug your existing NX relay and plug the Max EZ male plug into your NX relay harness. If your nitrous system does not have a standard NX relay harness, use the included NX relay harness to complete the installation.

The following diagrams show installation with popular accessories. Select the appropriate diagram based on the accessories you have (Mechanical Wide Open Throttle switch, Electronic TPS Wide Open Throttle switch, RPM window switch, or TPS & RPM Switch combo). *Note: The wire colors shown in these diagrams are for the NX relay harness (the wire colors between the Max EZ box and the male relay plug may or may not match the NX relay harness and should not be considered in the installation).*



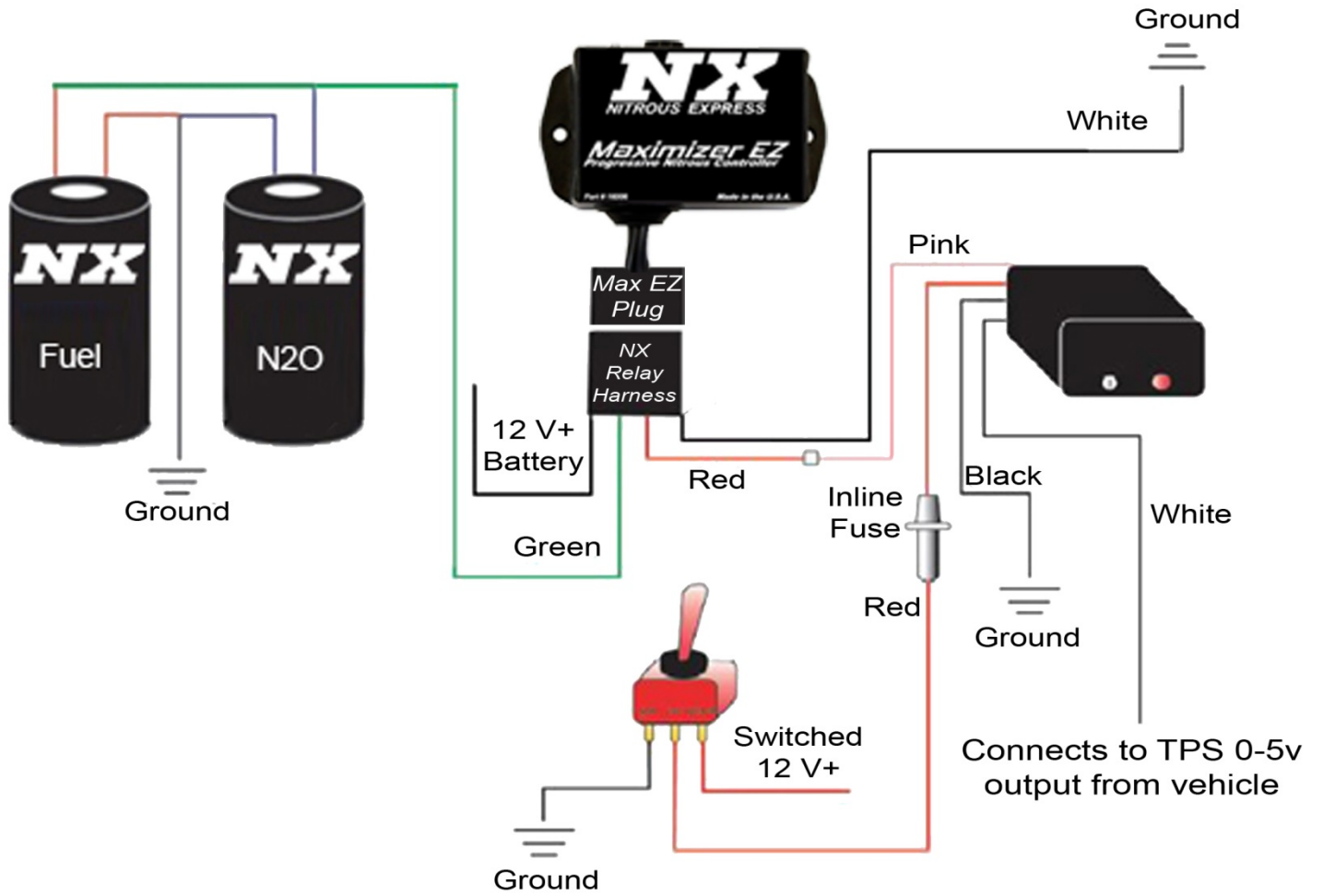
**WARNING: Cancer and  
Reproductive Harm-**  
[www.P65Warnings.ca.gov](http://www.P65Warnings.ca.gov)

# Wiring diagram for Mechanical Wide Open Throttle switch



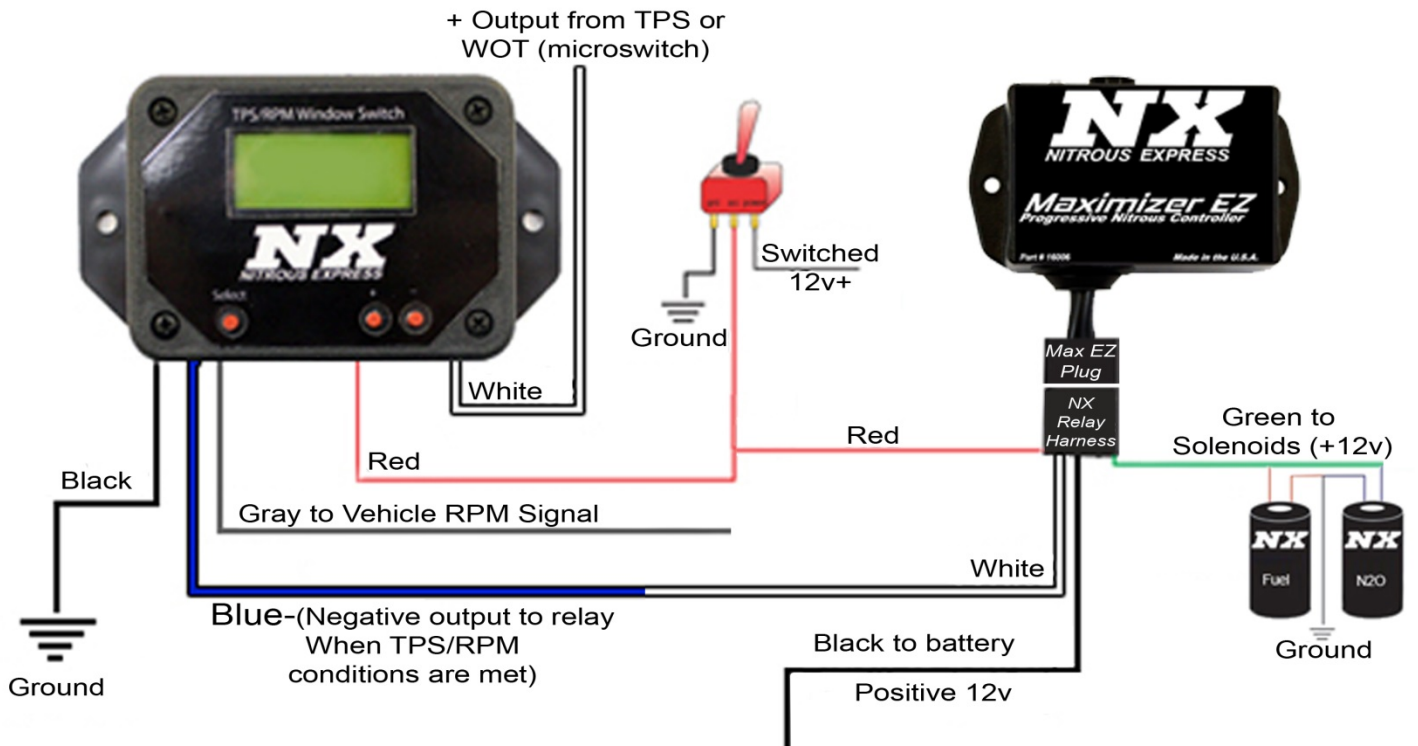
**WARNING: Cancer and Reproductive Harm-**  
[www.P65Warnings.ca.gov](http://www.P65Warnings.ca.gov)

# Wiring diagram for Electronic TPS Wide Open Throttle switch



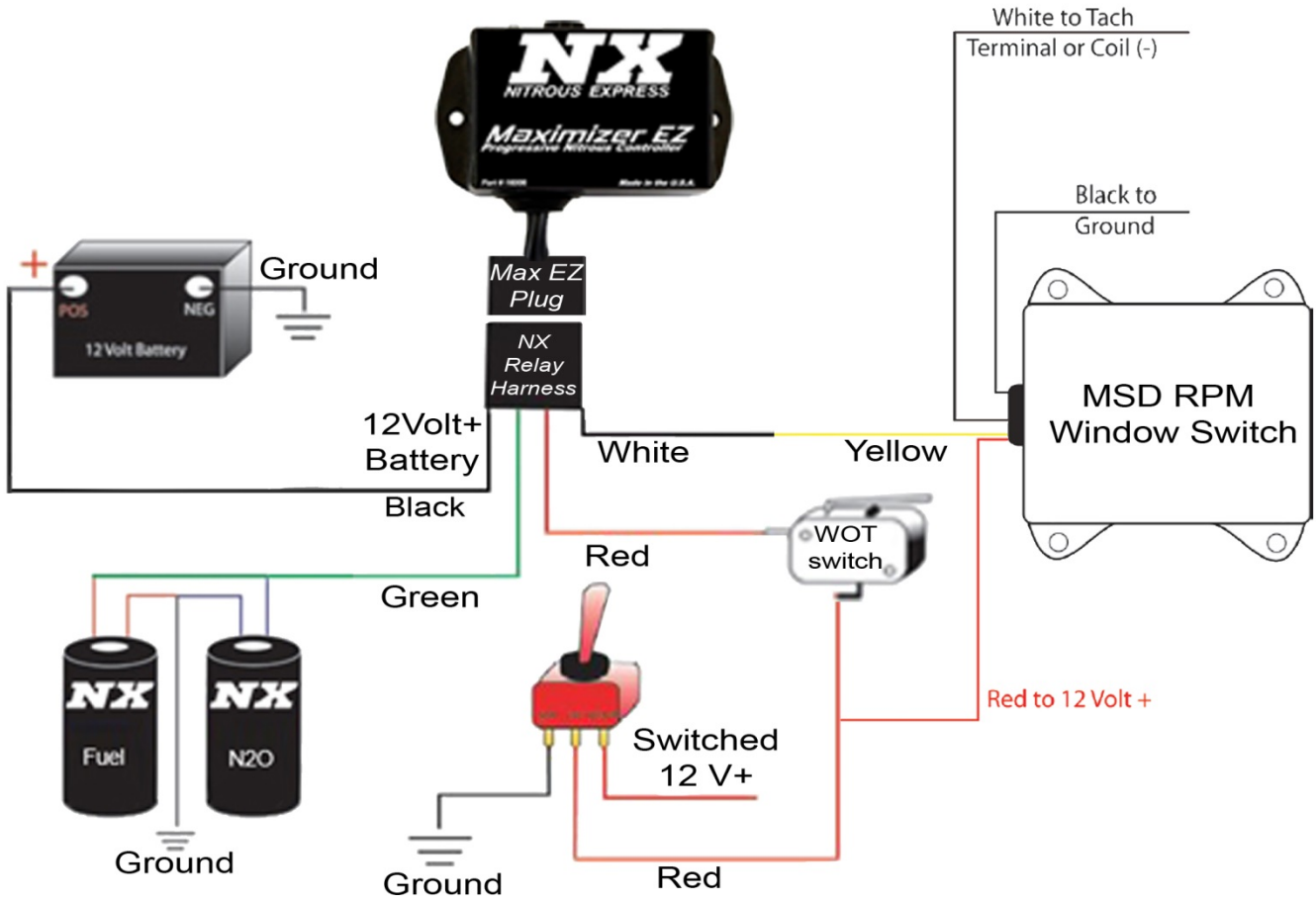
**WARNING: Cancer and Reproductive Harm-**  
[www.P65Warnings.ca.gov](http://www.P65Warnings.ca.gov)

# Wiring diagram for TPS & RPM Switch combo



**WARNING: Cancer and Reproductive Harm-**  
[www.P65Warnings.ca.gov](http://www.P65Warnings.ca.gov)

## Wiring diagram for MSD RPM Switch



**Limited Warranty:** Nitrous Express (the warrantor) hereby warrants its product to the original purchaser thereof (the consumer) against any and all defects in workmanship and material under the following terms and conditions: The Limited Warranty is specifically limited to the original purchaser of the products and is enforceable only by such original purchaser. In the event of a defect in workmanship or material of the products, the Warrantor will repair or replace the product, or any defective part or parts thereof, at the election of the Warrantor, without charge to the consumer for such repair or replacement. This Limited Warranty shall not apply to labor charges, freight, material or other incidental expenses in connection with removal and/or replacement of such defective product on the consumer's vehicle. This Limited Warranty shall extend for a period of ninety (90) days, commencing from the date of the original purchase by the Consumer. The only exception to this limited term is for the NX "Lightning" series solenoids, which have a limited lifetime warranty (does not include electrical components, labor, or freight). The maximum liability of Nitrous Express in connection with this warranty shall not under any circumstances exceed the contract price of the product claimed to be defective.

**Printing Errors:** Every effort has been made to proof all copy prior to printing. However, we do not accept responsibility for typographical errors either in prices or content.

**Rights Reserved:** As our technology expands, we may find it necessary from time to time to make changes in some of the items offered in our catalog. Nitrous Express reserves the right to make, without notice, changes in design, material and specifications or to make product changes without liability.

**Technical Assistance:** Trained experienced technicians are available to provide any information you may need between the hours of 9:00 a.m. to 4:00 p.m. CST. Call (940) 767-7694 for technical assistance.



**WARNING: Cancer and Reproductive Harm-**  
[www.P65Warnings.ca.gov](http://www.P65Warnings.ca.gov)