

Read all Instructions before beginning!!!!

Caution – EXTREME DANGER – Caution

Do not use or mix any other manufacturer's products with any Nitrous Express products.

Do not use or mix any Nitrous Express products with any other manufacturer's products.

THESE INSTRUCTIONS APPLY TO NITROUS EXPRESS PRODUCTS ONLY!

FOR SANCTIONED RACE USE ONLY - NOT FOR SALE OR USE IN CALIFORNIA

REMOTE BOTTLE OPENER - PN 11107

This bottle valve opener will allow you to stay in the comfort of your seat and open your nitrous bottle. Nitrous Express has designed the opener to work with NX bottles with Lightning Valves.

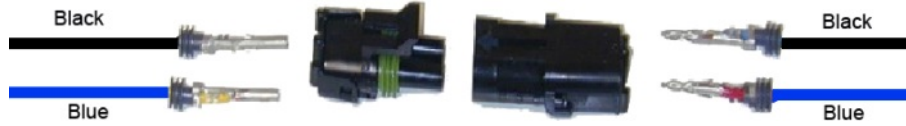
1. Remove the bottle from the vehicle.
2. Install a cap onto the nipple to prevent nitrous flow.
3. Open the valve completely (Do not over open the valve). This will give the proper installation height for the opener to work without binding. (See Illustration A)
4. Remove the plastic cap on hand wheel by prying up gently. This will exposing the ½" Nut
5. Using a ½" socket, remove the nut and the hand wheel from the top of the bottle valve.
6. Install the adapter collar around the top of the bottle valve just below the hand wheel. (See Illustration B.)
7. Tighten allen-head bolt on collar to secure it to the valve.
8. Install the valve opener gear over the square brass stem on the top of valve. (See Illustration B)
9. Install the nut from the original hand wheel onto the opener gear.
10. Install the opener body and motor assembly over valve and collar making sure the gear on the drive motor meshes with the bottle gear correctly and the hole for the thumb-screw is properly aligned. NOTE: IF THE GEARS DO NOT MESH CORRECTLY, THE MAIN BODY WILL NOT SET DOWN PROPERLY AND DAMAGE TO THE DRIVE MOTOR TRANSMISSION IS POSSIBLE
11. Tighten the thumbscrew securely (HAND TIGHT ONLY!). (See Illustration C)



Wiring Your Opener

1. Install the seals and male weather pack terminals on the wires coming from the opener motor. The wires going to the activation switch will use female terminal ends. Slide the terminals into the weather pack housings. **NOTE: CARE MUST BE TAKEN TO INSTALL THE TERMINALS WITH THE CORRECT WEATHER PACK HOUSING. IMPROPER INSTALLATION WILL NOT ALLOW THE TWO HALFS TO PUSH TOGETHER.**

Illustration D



2. Your bottle opener will come with one of 2 different style of switches depending on your application. Each of which is listed below with the appropriate wiring diagram. For oval shaped switches, use Illustration E and for the round shaped switch you will need to follow Illustration F.

Illustration E

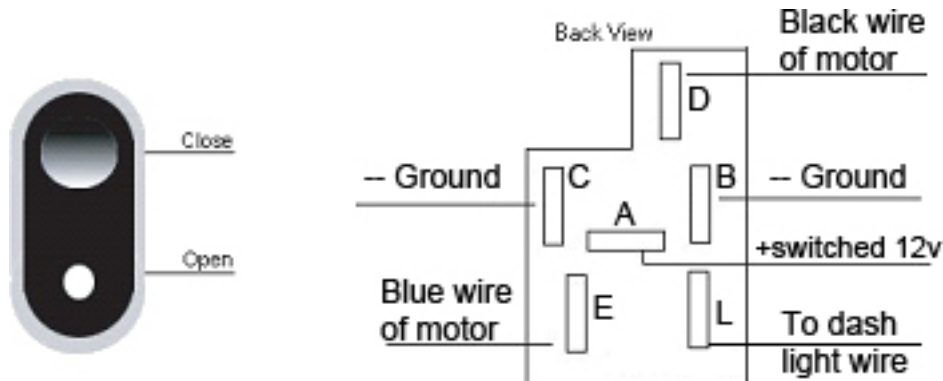
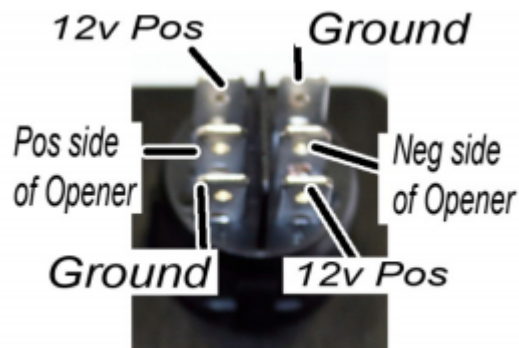


Illustration F



3. To complete the installation, reinstall the bottle, and plug the weather pack connectors together. Turn the vehicle on and press the "close" side of the opener switch for roughly 2 seconds. The opener should completely close the bottle valve. Slowly remove the 4an cap on the bottle nipple. **WARNING NITROUS HAS EXTREMELY COLD PROPERTIES! FROST BITE MAY OCCUR IF CONTACT WITH THE SKIN!** A small amount of nitrous will escape, if the valve is leaking reinstall the cap and cycle the opener open and closed and recheck for leaks.